

Publication number : 2002-122872

Date of publication of application : 26.04.2002

Int.Cl. G02F 1/1339 C08F 2/48 G02F 1/1341

5 G09F 9/00

Application number : 2000-316851

Applicant : HITACHI LTD

Date of filing : 12.10.2000

10 Inventor :

TAJIMA TETSUO

MIWA HIROAKI

SUDO RYOICHI

15 LIQUID CRYSTAL DISPLAY DEVICE AND METHOD OF MANUFACTURING
THE SAME

[Abstract]

20 PROBLEM TO BE SOLVED: To provide a new liquid crystal display device
of high reliability having preferable alignment characteristics of the liquid
crystal, which is manufactured by using a photostetting resin composition
as a sealing material, taking little time for injection of the liquid crystal,
suppressing misalignment of the two substrates or gap fluctuation to
extremely small, without causing contamination of the liquid crystal or

intrusion of dust and without damaging alignment layers on the electrode substrates and a method of manufacturing the device.

SOLUTION: A photosetting sealing material is applied on at least one of two electrode substrates with alignment layers facing each other, and
5 spacers are scattered on and fixed to one of the electrode substrates.

Then, the liquid crystal in a required amount is dropped onto the electrode substrate where the sealing material is applied and the two electrode substrates are stacked one on another under vacuum. Then, the sealing material is irradiated with a light of ≥ 350 nm wavelength under normal
10 pressure to stick together the substrates.

[Claims]

[Claim 1]

A liquid crystal display device, manufactured by applying a light curable sealing material on at least one surface of two facing electrode substrates each having an alignment film attached thereto, distributing and holding spacers on any one electrode substrate, adding a necessary amount of liquid crystals in droplets to the electrode substrate on which the sealing material is applied, laminating the two electrode substrates in a vacuum, and radiating light having a wavelength of 350 nm or more onto the sealing material under atmospheric pressure to bond the electrode substrates.

[Claim 2]

A method of manufacturing the liquid crystal display device of claim 1, comprising: applying a radical polymerizable type light curable resin composition having a viscosity at 25°C ranging from 40 to 100 Pa-s, serving as a sealing material, on an electrode substrate, and radiating light having a wavelength ranging from 350 to 780 nm from a light source onto the sealing material to cure the sealing material.

[Claim 3]

The method as set forth in claim 2, wherein the applying of the radical polymerizable type light curable resin composition serving as a sealing material is performed by using an acryl-based light curable resin composition, and the radiating of the light is performed by radiating ultraviolet rays onto the sealing material to light cure the sealing material while the surface of the alignment film is shielded from light using a masking member.

10

[Claim 4]

The method as set forth in claim 2, wherein the applying of the radical polymerizable type light curable resin composition serving as a sealing material is performed by using an acryl-based light curable resin composition, and the radiating of the light is performed by radiating ultraviolet rays passed through a cut-off filter, to block light having wavelengths less than 350 nm, onto the sealing material to light cure the sealing material.

15

[Claim 5]

The method as set forth in claim 2, wherein the applying of the radical polymerizable type light curable resin composition serving as a sealing material is performed by using an ene/thiol-based light curable resin composition, and the radiating of the light is performed by radiating
5 ultraviolet rays onto the sealing material to light cure the sealing material while the surface of the alignment film is shielded from light using a masking member.

10 **[Claim 6]**

The method as set forth in claim 2, wherein the applying of the radical polymerizable type light curable resin composition serving as a sealing material is performed by using an ene/thiol-based light curable resin composition, and the radiating of the light is performed by radiating
15 ultraviolet rays passed through a cut-off filter, to block light having wavelengths less than 350 nm, onto the sealing material to light cure the sealing material.

[Claim 7]

The method as set forth in claim 2, wherein the applying of the radical polymerizable type light curable resin composition serving as a sealing material is performed by using a mixture comprising an acryl-based light curable resin composition and an ene/thiol-based light curable resin composition, and the radiating of the light is performed by radiating ultraviolet rays onto the sealing material to light cure the sealing material while the surface of the alignment film is shielded from light using a masking member.

10 **[Claim 8]**

The method as set forth in claim 2, wherein the applying of the radical polymerizable type light curable resin composition serving as a sealing material is performed by using a mixture comprising an acryl-based light curable resin composition and an ene/thiol-based light curable resin composition, and the radiating of the light is performed by radiating ultraviolet rays passed through a cut-off filter, to block light having wavelengths less than 350 nm, onto the sealing material to light cure the sealing material.

[Claim 9]

The method as set forth in claim 2, wherein the applying of the radical polymerizable type light curable resin composition serving as a sealing material is performed by using a mixture comprising an acryl-
5 based light curable resin composition and an adhesion accelerator, and the radiating of the light is performed by radiating ultraviolet rays onto the sealing material to light cure the sealing material while the surface of the alignment film is shielded from light using a masking member.

10 **[Claim 10]**

The method as set forth in claim 2, wherein the applying of the radical polymerizable type light curable resin composition serving as a sealing material is performed by using a mixture comprising an acryl-
based light curable resin composition and an adhesion accelerator, and
15 the radiating of the light is performed by radiating ultraviolet rays passed through a cut-off filter, to block light having wavelengths less than 350 nm, onto the sealing material to light cure the sealing material.

[Claim 11]

The method as set forth in claim 2, wherein the applying of the radical polymerizable type light curable resin composition serving as a sealing material is performed by using a mixture comprising an ene/thiol-based light curable resin composition and an adhesion accelerator, and
5 the radiating of the light is performed by radiating ultraviolet rays onto the sealing material to light cure the sealing material while the surface of the alignment film is shielded from light using a masking member.

[Claim 12]

10 The method as set forth in claim 2, wherein the applying of the radical polymerizable type light curable resin composition serving as a sealing material is performed by using a mixture comprising an ene/thiol-based light curable resin composition and an adhesion accelerator, and
the radiating of the light is performed by radiating ultraviolet rays passed
15 through a cut-off filter, to block light having wavelengths less than 350 nm, onto the sealing material to light cure the sealing material.

[Claim 13]

The method as set forth in claim 2, wherein the applying of the

radical polymerizable type light curable resin composition serving as a sealing material is performed by using a mixture comprising an acryl-based light curable resin composition, an ene/thiol-based light curable resin composition, and an adhesion accelerator, and the radiating of the light is performed by radiating ultraviolet rays onto the sealing material to light cure the sealing material while the surface of the alignment film is shielded from light using a masking member.

[Claim 14]

The method as set forth in claim 2, wherein the applying of the radical polymerizable type light curable resin composition serving as a sealing material is performed by using a mixture comprising an acryl-based light curable resin composition, an ene/thiol-based light curable resin composition, and an adhesion accelerator, and the radiating of the light is performed by radiating ultraviolet rays passed through a cut-off filter, to block light having wavelengths less than 350 nm, onto the sealing material to light cure the sealing material.

[Claim 15]

The liquid crystal display device as set forth in claim 1, wherein each of the two facing electrode substrates, which has an alignment film attached thereto, further includes a thin film transistor and a color filter provided on one surface thereof, and a transparent conducting film
5 provided on the other surface thereof.

[Claim 16]

A method of manufacturing the liquid crystal display device of claim 15, comprising applying a radical polymerizable type light curable
10 resin composition having a viscosity at 25°C ranging from 40 to 100 Pa·s, serving as a sealing material, on an electrode substrate, and radiating light at a wavelength ranging from 350 to 780 nm from a light source onto the sealing material to cure the sealing material.

15 **[Claim 17]**

The method as set forth in claim 16, wherein the applying of the radical polymerizable type light curable resin composition serving as a sealing material is performed by using an acryl based light curable resin composition, and the radiating of the light is performed by radiating

ultraviolet rays onto the sealing material to light cure the sealing material while the surface of the alignment film is shielded from light using a masking member.

5 **[Claim 18]**

The method as set forth in claim 16, wherein the applying of the radical polymerizable type light curable resin composition serving as a sealing material is performed by using an acryl-based light curable resin composition, and the radiating of the light is performed by radiating
10 ultraviolet rays passed through a cut-off filter, to block light having wavelengths less than 350 nm, onto the sealing material to light cure the sealing material.

[Title of the invention]

**LIQUID CRYSTAL DISPLAY DEVICE AND METHOD OF MANUFACTURING
THE SAME**

5 **[Detailed Description of the Invention]**

[Field of the Invention]

The present invention relates to a liquid crystal display (LCD) device for use in slim, lightweight, and low powered display technologies, and a method of manufacturing the same.

10

[Description of the Prior Art]

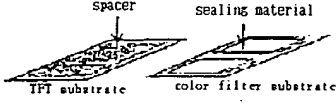

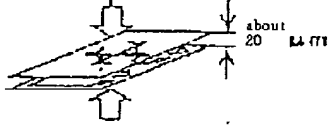
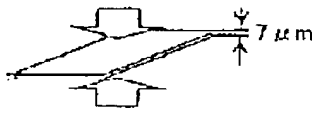
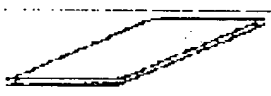
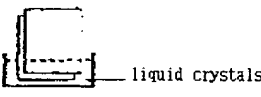

Recently, LCD devices have been variously applied to slim, lightweight, and low powered display technologies, and are expected to be increasingly used in the future.

15

The LCD device has been conventionally manufactured through processes using a heat curable type sealing material, shown in Table 1 below, which takes a long time period.

TABLE 1

20

Process	Heat Curable Type	Light Curable Type	
Distributing Spacers, Applying Sealing Material		-	-
Drying Solvent		10 min (120°C)	
Alignment		2 min (80°C)	5 min (RT/Radiating Light) Radiating Light In The Presence Of Liquid Crystals
Controlling Gap		1.0 h (90-100°C)	
Heat-Curing Sealing Material		10 h (90-190°C)	-
Injecting Liquid Crystals		4 h (RT)	-
Closing Inlet		4 h (RT)	-

RT: 25°C

At present, attempts have been made to improve the conventional

process using a short time process involving a light curable type sealing material, as shown in Table 1. Particularly, as shown in right columns of Table 1, a closing process is expected to be performed for a short time period in the presence of liquid crystals using a light curable type sealing material.

Conventionally, methods of manufacturing an LCD device have been proposed as follows:

(1) As shown in FIGS. 1a and 1b, a method of manufacturing an LCD device, which comprises vacuum injecting liquid crystals 5 through a previously provided liquid crystal inlet 6 into a container formed by disposing two electrode substrates 2 to face each other so that the surface of each electrode substrate having an alignment film 1 (mainly made of polyimide) attached thereto faces inwards, compressing the two electrode substrates 2 at a predetermined interval determined by spacers 3 and curing a heat curable type epoxy based sealing material 4 to bond and hold the electrode substrates, and closing the liquid crystal inlet 6 using a closing material including a heat curable type epoxy resin or a UV curable type acryl resin so that the liquid crystals 5 do not leak out.

(2) A method of manufacturing an LCD device, which is performed

in the same manner as in the method (1), with the exception that a UV curable type epoxy resin or UV curable type acryl resin is used as the sealing material 4, and a UV curable type acryl resin is used as the closing material 7.

5 (3) As shown in FIGS. 2a to 2d, a method of manufacturing an LCD device, comprising applying a sealing material 10 on at least one surface of two facing electrode substrates 8 and 9 each having an alignment film attached thereto, adding a predetermined amount of liquid crystals 12 in droplets onto the electrode substrate 8, and bonding the two electrode
10 substrates 8 and 9 in a vacuum.

 (4) As shown in FIGS. 3a to 3e, a method of manufacturing an LCD device, comprising applying a sealing material 16 on at least one surface having a previously provided liquid crystal outlet 15 of two facing electrode substrates 13 and 14 each having an alignment film attached
15 thereto, adding excess liquid crystals 18 in droplets onto the electrode substrate 13, bonding the two electrode substrates in a vacuum, and discharging the excess liquid crystals, and closing the liquid crystal outlet 15 using a closing material 19.

[Problems to be Solved by the Invention]

However, the methods (1) and (2) are disadvantageous in that because the inlet contacts the liquid crystals, liquid crystals may be contaminated or impurities may be introduced, and thus, display panels
5 may be faulty. Further, a long time period is required to inject the liquid crystals.

In addition, although the methods (3) and (4) disclosed in Japanese Patent Laid-open Publication No. Sho. 62-89025 and Japanese Patent Laid-open Publication No. Hei. 6-235925 solve the problems of the
10 methods (1) and (2), the sealing material is not mentioned in the above patents. As the sealing material, a UV curable type resin is more effectively used than is a heat curable type resin, in view of the productivity of LCD devices, alignment of two substrates, and improvement of non-uniform gaps.

15 However, even if any sealing material is used, if the viscosity at 25°C of the sealing material is too low, the sealing material flows toward the liquid crystals, so a desired display screen is not obtained. Meanwhile, if the viscosity at 25°C of the sealing material is too high, the gap is insufficiently formed. When a UV curable type resin is used as a

sealing material, the alignment film on the electrode substrate in the LCD device which is exposed to UV upon curing may be damaged and thus alignment properties of the liquid crystals may be worsened.

To solve the above problems, an object of the present invention is
5 to provide a novel and highly reliable LCD device, which is advantageous because it may be manufactured by injecting the liquid crystals for a relatively short time while two electrode substrates are almost accurately aligned, with the formation of a uniform gap therebetween, the liquid crystals are not contaminated and impurities are not introduced, a
10 display screen is excellent, gap formation is sufficient, and the alignment film on the electrode substrate is not damaged, thus exhibiting good alignment properties of the liquid crystals.

Another object of the present invention is to provide a method of manufacturing such an LCD device.

15

[Means for Solving the Problem]

To achieve the above objects, the present inventors have found that, as in the method (3) shown in FIGS. 2a to 2d, when two electrode substrates 8 and 9, each having an alignment film attached thereto, are

bonded in a vacuum after applying the sealing material 10 on at least one surface of the two electrode substrates 8 and 9 and adding the predetermined amount of liquid crystals 12 in droplets onto the electrode substrate 8, a radical polymerizable type acryl based light curable resin composition and/or ene/thiol based light curable resin composition, having a viscosity at 25°C ranging from 40 to 100 Pa-s, may be used as the sealing material 10, and light having a wavelength from 350 to 780 nm is radiated, or UV rays, wavelengths of which are not controlled, are radiated while the surface of the alignment film is shielded from light using a masking member, thus curing the sealing material to bond the electrode substrates, to manufacture a desired LCD device, thereby completing the present invention.

To increase the adhesive strength between the electrode substrates 8 and 9 each having an alignment film attached thereto, the above composition serving as the sealing material 10 may further include an adhesion accelerator.

As a light source used in the present invention, a mercury lamp, a xenon lamp, a metal halide lamp, etc., is usefully used, each of which generates a large amount of visible light and UV rays having wavelengths

of 780 nm or less. However, light generated from such a light source may excessively heat the LCD device, or may deteriorate the liquid crystals.

When light curing the above composition, light must contact only
5 the composition. The radiation time ranges from 0.1 to 5 min. If the radiation time is shorter than 0.1 min, adhesive strength is weak due to insufficient light curing. On the other hand, if the time is longer than 5 min, productivity is decreased and a useful LCD device is not obtained.

As such, the alignment film may be damaged due to light having
10 wavelengths less than 350 nm being generated from the light source, whereas the curing reaction may be retarded due to light having wavelengths more than 780 nm, thus decreasing the productivity. Hence, light ranging from 350 to 780 nm is preferably used.

Upon radiation, UV rays are radiated through a cut-off filter (to
15 block light having wavelengths less than 350 nm). In addition, the surface of the alignment film on the electrode substrate is shielded from light using a masking member, such as a blackened metal sheet, thus curing the composition. When the two facing electrode substrates each having an alignment film attached thereto are bonded and held, UV rays

may be directly radiated thereon, without the use of a cut-off filter.

In addition, an LCD device may be manufactured by applying a sealing material on at least one surface of the two facing electrode substrates each having an alignment film attached thereto and further including a thin film transistor (TFT) and a color filter provided thereon and a transparent conducting film provided therebelow, distributing and holding spacers on any one electrode substrate, adding a necessary amount of liquid crystals in droplets onto the substrate on which the sealing material is applied, and bonding the two electrode substrates in a vacuum.

Used as the sealing material in the present invention, a radical polymerizable type acryl based light curable resin composition, which has a viscosity at 25°C ranging from 40 to 100 Pa-s, includes a (meth)acryl based resin and a photosensitizer. In addition, for improvement in properties, an adhesion accelerator (silane based coupling agent), a filler, etc., may be further included, if required.

If the sealing material has a viscosity at 25°C less than 40 Pa-s, it flows toward the liquid crystals, not obtaining a desired display screen. Meanwhile, if the sealing material has a viscosity at 25°C more than 100

Pa-s, the gap between the substrates is insufficiently formed, and thus, the display screen is non-uniform. Thus, the viscosity at 25°C is preferably in the range from 40 to 100 Pa-s (a viscosity at 25°C of liquid crystals is in the range from 0.001 to 0.1 Pa-s).

5 The (meth)acryl based resin includes one or more (meth)acryl groups in one molecule, and is not particularly limited as long as it may be rapidly cured by radical polymerization.

 Further, to increase moistureproofness, adhesive strength and incompatibility with liquid crystals, a molecular backbone of (meth)acryl
10 based resin is preferably formed of polyester, polyether, hydrocarbons, silicone, etc.

 The (meth)acryl based resin includes materials having (meth)acryl groups at both terminal portions of the molecular backbone, for example, di(meth)acrylate, hexanediol(meth)acrylate, ethyleneglycol(meth)acrylate,
15 or butanediol(meth)acrylate of polyester, polyethyleneglycol, bisphenol A diglycidylether, poly-1,2-butadiene, or polydimethylsiloxane, producible from ethyleneglycol and adipic acid.

 To decrease the viscosity and control a glass transition temperature, a (meth)acryl compound having one (meth)acryl group in

one molecule may be used, which is exemplified by 2-ethylhexyl(meth)acrylate, 2-hydroxy propyl(meth)acrylate, lauryl(meth)acrylate, decyl(meth)acrylate, benzyl(meth) acrylate, etc. In addition, to increase the adhesive strength, 2-hydroxyethyl(meth)acrylate
5 may be used.

The photosensitizer used in the present invention is not particularly limited as long as it may cause light decomposition or dehydrogenation using light having a wavelength ranging from visible light to UV rays and also may produce a radical to initiate radical
10 polymerization by a (meth)acryl group.

The photosensitizer includes, for example, benzoinethers such as benzoinisopropylether, acetophenones such as 2,2-diethoxyacetophenone, benzophenones such as 1-hydroxycyclohexylphenylketone, 2-hydroxy-2-methyl-1-phenylpropan-1-
15 one, benzoin or p-methoxybenzophenone, xantones such as thioxantone, anthraquinones such as m-chloroacetophenone, propiophenone, benzyl or 2-methylantraquinone, or benzyldimethylketals.

The photosensitizer is used in an amount of 0.01 to 5 parts by weight, on the basis of 100 parts by weight of a (meth)acryl based resin.

If the amount is less than 0.01 parts by weight, light curability of the acryl based resin composition is decreased. Meanwhile, if the amount exceeds 5 parts by weight, adhesive strength is weakened.

The adhesion accelerator used to increase the adhesive properties
5 of the resin composition of the present invention includes, for example, a silane based coupling agent, a titanium based coupling agent, polychloroprene, poly-1,4-butadiene, styrene-butadiene copolymer, acrylonitrile-styrene-butadiene terpolymer, or graft copolymer of rubbers such as ethylene propylene based rubber and (meth)acryl based resin.
10 The adhesion accelerator is used in an amount of 0.1 to 10 parts by weight, on the basis of 100 parts by weight of a (meth)acryl based resin. If the amount is less than 0.1 parts by weight, effects on the acceleration of the adhesive strength are insufficiently exhibited. Meanwhile, if the amount exceeds 10 parts by weight, excess adhesion accelerator in the
15 acryl based composition flows over the liquid crystal layer and thus negatively affects the alignment properties of liquid crystals while decreasing the glass transition temperature.

The filler, which is used to increase the applicability of the resin composition of the present invention and control the viscosity of the

composition or the heat expansion coefficient of the curing material while preventing the dissolution of the composition in liquid crystals, includes silica, alumina, calcium carbonate, etc. The filler is used in an amount of 5 to 100 parts by weight, on the basis of 100 parts by weight of a (meth)acryl based resin, so that the viscosity at 25°C of the sealing material is in the range from 40 to 100 Pa·s. If the amount is less than 5 parts by weight, insignificant effects are obtained. Meanwhile, if the amount exceeds 100 parts by weight, the adhesive strength of the acryl based resin composition is weakened.

10 In addition, the ene/thiol based light curable resin composition used in the present invention includes a polyene compound, a polythiol compound, and a photosensitizer, and may further include an adhesion accelerator (silane based coupling agent), a filler, etc., if required.

The polyene compound includes at least two unsaturated double bonds (C=C) in one molecule, and the polythiol compound includes at least two mercapto groups (-SH) in one molecule. The polyene compound or polythiol compound is not particularly limited as long as it may be rapidly cured by radical polymerization. The polyene compound is selected from the group consisting of divinylbenzene, divinyltoluene,

triallylcyanurate, triallylisocyanurate, tetraallyloxyethane,
trimethylolpropane diallylether, trimethylolpropane triallylether,
pentaerythritol diallylether, pentaerythritol triallylether, pentaerythritol
tetraallylether, ethyleneglycol (meth)allylether, propyleneglycol
5 (meth)allylether, butyleneglycol (meth)allylether, polyethyleneglycol
(meth)allylether, polypropyleneglycol di(meth)allylether,
polybutyleneglycol di(meth)allylether, di(meth)allylether of glycol as a
block or random copolymer of ethyleneoxide and propyleneoxide,
di(meth)allylether of glycol as a block or random copolymer of
10 ethyleneoxide and tetrahydrofuran, di(meth)allylether of bisphenol A,
di(meth)allylether of (poly)ethylene oxide modified bisphenol A,
di(meth)allylether of (poly)propylene oxide modified bisphenol A, and
combinations thereof, but is not limited thereto.

The polythiol compound is selected from the group consisting of
15 diglycol dimercaptane, triglycol dimercaptane, tetraglycol dimercaptane,
thiodiglycol dimercaptane, thiotriglycol dimercaptane, thiotetraglycol
dimercaptane, polythiol compounds obtained by reacting a mercapto
group of excess polythiol compound with an epoxy group of the
following polyepoxide compound, and combinations thereof, but is not

limited thereto.

The polyepoxide compound is selected from the group consisting of bisphenol A type epoxide, ethyleneglycol diglycidylether, polyethyleneglycol diglycidylether, propyleneglycol diglycidylether, 5 polypropyleneglycol diglycidylether, neopentylglycol diglycidylether, 1,6-hexanediol diglycidylether, glycerol diglycidylether, glycerol triglycidylether, trimethylolpropane diglycidylether, trimethylolpropane triglycidylether, diglycerol polyglycidylether, bisphenol S type epoxide, bisphenol F type epoxide, hydrogenated bisphenol A type epoxide, and 10 combinations thereof, but is not limited thereto.

A mixing ratio of the polyene compound and the polythiol compound used in the composition of the present invention is determined as a molar ratio of carbon-carbon unsaturated double bond of polyene and a mercapto group of polythiol, and ranges from 1:1.5 to 15 1.5:1, preferably from 1:1.2 to 1.2:1, and more preferably, is about 1:1. If the mixing ratio of the polyene compound and the polythiol compound falls out of the above range, offensive odors may occur after curing, or the curing reaction may not take place due to insufficient hardness of the curing material. The photosensitizer used in the ene/thiol based light

curable resin composition of the present invention includes those used in the acryl based light curable resin composition, and is used in an amount of 0.01 to 5 parts by weight, on the basis of a total of 100 parts by weight of the polyene compound and polythiol compound. If the amount is less than 0.01 parts by weight, light curability of the ene/thiol based light curable resin composition is decreased. Meanwhile, if the amount exceeds 5 parts by weight, adhesive strength is weakened.

The adhesion accelerator, which functions to increase the adhesive properties of the resin composition of the present invention, includes those used in the acryl based light curable resin composition, and is exemplified by a silane based coupling agent, a titanium based coupling agent, polychloroprene, poly-1,4-butadiene, styrene-butadiene copolymer, acrylonitrile-styrene-butadiene terpolymer, or graft copolymer of rubbers such as ethylene propylene based rubber and (meth)acryl based resin. The adhesion accelerator is used in an amount of 0.1 to 10 parts by weight, on the basis of a total of 100 parts by weight of the polyene compound and polythiol compound. If the amount is less than 0.1 parts by weight, effects on the acceleration of the adhesive strength are insufficiently exhibited. Meanwhile, if the amount exceeds

10 parts by weight, excess adhesion accelerator in the ene/thiol based resin composition flows over the liquid crystal layer and thus negatively affects the alignment properties of the liquid crystals while decreasing the glass transition temperature.

5 The filler, which is used to increase the applicability of the resin composition and control the viscosity of the composition or the heat expansion coefficient of the curing material while preventing the dissolution of the composition in liquid crystals, includes those used in the acryl based light curable resin composition, and is exemplified by
10 silica, alumina, calcium carbonate, etc. The filler is used in an amount of 5 to 100 parts by weight, on the basis of a total of 100 parts by weight of the polyene compound and polythiol compound, so that the viscosity at 25°C of the sealing material is in the range from 40 to 100 Pa·s. If the amount is less than 5 parts by weight, insignificant effects are exhibited.
15 Meanwhile, if the amount exceeds 100 parts by weight, adhesive strength of the ene/thiol based resin composition is weakened.

The resin composition of the present invention may further include a defoamer, a leveling agent, a polymerization inhibitor, etc., if required.

Hereinafter, a method of manufacturing an LCD device using the

resin composition of the present invention is described. On the surface of the alignment film of either electrode substrate of two facing electrode substrates, each having an alignment film attached thereto, the sealing material, which is the resin composition of the present invention, is applied in the form of a rectangular pattern. The application process is performed using screen printing, and may be conducted using a dispenser.

Onto the central portion of the rectangular pattern of the substrate, having the sealing material applied thereon, a predetermined amount of liquid crystals is added in droplets.

The two substrates are aligned to be spaced apart from each other by the spacers distributed therebetween in a vacuum so as to face each other while the alignment films formed thereon are positioned inwards. Then, the gap between the substrates is controlled at a desired interval, under atmospheric pressure.

Subsequently, after the position alignment and the gap formation, light having a predetermined wavelength (350-780 nm) is radiated onto the resin composition, or UV rays are radiated onto the resin composition while only the surface of the alignment film is shielded from

light using a masking member, thus curing the resin composition to bond the two substrates, to manufacture a desired LCD device.

[Embodiment of the Invention]

5 A better understanding of the present invention may be obtained in light of the following examples which are set forth to illustrate, but are not to be construed to limit the present invention.

As a sealing material used to bond two electrode substrates each having an alignment film attached thereto, the kinds of a light curable
 10 resin composition and composition number are shown in Table 2 below.

Table 2

Composition No.		1	2	3	4	5	6	7	8	9	10	11	12	13	14	15	
(Meth) Acryl Based Resin	Poly1,2-Butadiene Dimethacrylate (mw 2000)	59	-	-	-	-	-	-	-	-	-	-	-	-	59	-	
	Bisphenol A Diglycidylether Diacrylate	-	19	10	10	15	40	-	-	-	-	-	-	10	-	10	
	Ethyleneglycol Dimethacrylate	41	81	-	-	60	40	-	-	-	-	-	-	-	-	41	-
	Butanediol Diacrylate	-	-	90	76	-	-	-	-	-	-	-	-	-	90	-	90
	Lauryl Methacrylate	-	-	-	14	-	-	-	-	-	-	-	-	-	-	-	-
	Benzyl Methacrylate	-	-	-	-	25	-	-	-	-	-	-	-	-	-	-	-
	2-Hydroxyethyl Methacrylate	-	-	-	-	-	20	-	-	-	-	-	-	-	-	-	-
Polye	Bisphenol A Diallylether	-	-	-	-	-	-	24	-	-	57	-	-	-	-	-	

ne	Diallylether of Glycol as Random Copolymer of Ethyleneoxide and Tetrahydrofuran	-	-	-	-	-	-	-	-	50	-	-	81	-	-	-	-
	Triallyl Isocyanurate	-	-	-	-	-	-	-	-	25	-	-	51	-	-	-	-
Polythiol	Polythiol as Reaction Product of Bisphenol A Epoxide and excess Triglycol Dimercaptane	-	-	-	-	-	-	76	50	75	-	-	-	-	-	-	-
	Tetraglycol Dimercaptane	-	-	-	-	-	-	-	-	-	-	43	19	49	-	-	-
Others	Benzoin Isopropylether (Photosensitizer)	3	2	1	1	1	2	1	1	1	1	1	1	1	1	3	1
	γ -Methacryloxy Propyltrimethoxy Silane (Adhesion Accelerator)	1	1	-	-	-	-	1	-	-	1	-	-	-	-	1	-
	Use of Silica (Filler)	Y	Y	Y	Y	Y	Y	Y	Y	Y	Y	Y	Y	Y	N	Ye	Y
Viscosity at 25°C (Pa-s)		40 ≤ viscosity ≤ 100												<4	>1	<4	
														0	00	0	

*) Composition is shown as a weight ratio.

As shown in Table 2, composition Nos. 1 to 6 are acryl based radical polymerizable type light curable resin compositions, and composition Nos. 7 to 12 are ene/thiol based radical polymerizable type light curable resin compositions. Although composition Nos. 13 to 15 are acryl based radical polymerizable light curable resin compositions, their viscosities at 25°C fall out of the range of the present invention. The viscosities were measured using a viscometer.

10 The resin composition (sealing material) was applied in a

rectangular pattern on an electrode substrate 8 having an alignment film attached thereto, using a dispenser, as shown in FIG. 2. Onto the central portion of the pattern, a necessary amount of liquid crystals 12 was added in droplets. On the screen area of the other electrode substrate 9
5 having an alignment film attached thereto, bead-shaped spacers 11 having a diameter of 6.5 μm were distributed.

The two electrode substrates were aligned to be spaced apart from each other by the spacers disposed therebetween in a vacuum so as to face each other and so that the alignment films formed thereon were
10 positioned inwards, after which the gap between the substrates was controlled at a desired interval under atmospheric pressure.

Subsequently, according to the method of the present invention, as shown in FIGS. 4 and 5, light was radiated onto the sealing material 22 or 29 under predetermined conditions after the position alignment and
15 gap formation, thus curing the sealing material 22 or 29.

As seen in FIG. 4, as a cut-off filter 25 to block light having wavelengths less than 350 nm, a color glass filter UV-35 (available from Toshiba Glass Co. Ltd., Japan) was used, whereby light was limitedly radiated from a light source 26, such as a high pressure mercury lamp,

onto the resin composition, thus light curing the resin composition. In addition, as in FIG. 5, where $R > 5$, using an about 2 mm thick blackened metal aluminum sheet as a masking member 32, the surface of the alignment film was shielded from light, whereby light was unlimitedly radiated from a light source 33, such as a high pressure mercury lamp, thus light curing the resin composition.

Whether the LCD device 35 thus obtained realized a good display screen was observed with the naked eye.

Thereafter, the alignment properties of the polyimide based alignment film 34 of the LCD device 35 were measured, as shown in FIG. 6.

That is, polarizing directions of two polarizing substrates 39 were set perpendicular to each other, and the LCD device 35 was interposed between the above two substrates so that one substrate of the LCD device was positioned to face toward the light 40 and the other substrate thereof was observed with the naked eye 41.

As the result, when the alignment was regular and light was uniformly observed, the alignment film 34 of the LCD device 35 was assumed not to be damaged, thus realizing good alignment properties.

However, when light was non-uniformly observed, the alignment film 34 was assumed to be damaged, thus having worsened alignment properties. In addition, adhesive strength was measured. Whether the sealing material had peeled off was observed with the naked eye. The adhesive strength of the LCD device that had not peeled was judged to be good, while the adhesive strength of the LCD device that had peeled was judged to be bad.

To assay the alignment properties and the adhesive strength of the LCD device after being initially measured, a reliability test was conducted by allowing the LCD device to stand at a high temperature (60°C, 1000 hr) and also at a high temperature under high humidity (70°C, 95%RH, 500 hr).

Using the light curable resin compositions (sealing materials) shown in Table 2, the above properties of the LCD device were measured by varying the curing conditions. The results are given in Table 3, below.

Table 3

No.	Example						Comparative Example								
	1	2	3	4	5	6	7	8	9	10	11	12	13	14	15
Curing	1-6	7-12	1-6	7-12	1-6	7-12	1-6	7-12	1-6	7-12	1-6	7-12	13	14	15

Con d.	Use of Cut-off Filter		Y es	Ye s	-	-	Y es	Ye s	N o	N o	-	-	N o	N o	Y es	Y es	Y es	
	Presence of Masking Member		-	-	Y es	Ye s	-	-	-	-	N o	N o	-	-	-	-	-	
	Light Radiat. Condi. *	100 mW/cm ² x90s	→	-	→	-	-	-	→	-	→	-	-	-	-	→	→	→
		100 mW/cm ² x50s	-	→	-	→	-	-	-	→	-	→	-	-	-	-	-	-
100 mW/cm ² x30s		-	-	-	-	→	→	-	-	-	-	→	→	-	-	-	-	
Pro p. **	Display Screen		○	○	○	○	○	○	○	○	○	○	○	○	○	○	○	○
	Align ment	Initial	○	○	○	○	○	○	○	X	X	X	X	X	X	○	○	○
		High Temp. (60°C, 1000h)	○	○	○	○	○	○	○	X	X	X	X	X	X	○	○	○
		High Temp., High Humidity (70°C, 95%, 500h)	○	○	○	○	○	○	○	X	X	X	X	X	X	○	○	○
	Adhesi ve Streng th	Initial	○	○	○	○	○	○	○	○	○	○	○	○	○	○	○	○
		High Temp. (60°C, 1000h)	○	○	○	○	○	○	○	○	○	○	○	○	○	○	○	○
		High Temp., High Humidity (70°C, 95%, 500h)	○	○	○	○	○	○	○	○	○	○	○	○	○	○	○	○

*) Light radiation condition depends on a wavelength of 365 nm, and 's' is second. '→' means the use of light radiation condition

***) 'RH' is relative humidity, 'h' is hour. '○' is good, and 'X' is poor.

5 As is apparent from Table 3, Example No. 1 shows six kinds of LCD device manufactured by applying each of resin composition Nos. 1 to 6 of Table 2, under radiation conditions of 100 mW/cm² (wavelength 365 nm) x 90 sec using a cut-off filter. In Table 3, the properties of Examples

represented by ○ mean that all properties of six kinds of LCD device are good.

As in Table 3, since the resin compositions of Example Nos. 1 to 6 had viscosity at 25°C that satisfied the viscosity range of the present invention before being light cured, the LCD devices realized excellent display screens. Also, by using the cut-off filter or masking member upon curing, the alignment properties and adhesive strength of the LCD devices were confirmed to be initially good and also to be good even after the reliability test, regardless of radiation conditions.

On the other hand, the resin compositions of Comparative Example Nos. 7 to 12 had viscosity at 25°C that satisfied the viscosity range of the present invention before being light cured, and therefore, the LCD devices realized excellent display screens. However, without the use of the cut-off filter or masking member upon curing, the alignment properties of the LCD devices were initially bad although the adhesive strength thereof was good.

Further, in Comparative Example Nos. 13 to 15, the cut-off filter was used upon light curing, and thus, the alignment properties and adhesive strength of the LCD devices were confirmed to be initially good and also to

be good even after the reliability test. However, since their resin compositions had viscosities at 25°C that fell out of the viscosity range of the present invention before being light cured, the LCD devices realized poor display screens.

5 In Table 3, all properties of the LCD devices of Example Nos. 1 to 6 were confirmed to be initially good and also to be good even after the reliability test.

Although the gap accuracy and the position accuracy of the LCD devices were $(6.5 \pm 0.5) \mu\text{m}$ and $6.0 \mu\text{m}$, respectively, according to the method shown in FIG. 1 (conventional method) using a heat curable type epoxy based sealing material, they were $(6.5 \pm 0.2) \mu\text{m}$ and $2.0 \mu\text{m}$ according to the method of the present invention (Ex. Nos. 1 to 6 in Table 10 3). From this, the accuracy was confirmed to increase.

The LCD device, which comprises two electrode substrates, respectively including a TFT and a color filter provided thereon, both including a transparent conducting film provided therebelow, and being 15 disposed to face each other such that an alignment film of each electrode substrate is positioned inwards, can be manufactured by radiating light onto the transparent conducting film according to the method of the

present invention (Ex. Nos. 1 to 6 in Table 3).

[Effect of the Invention]

As described hereinbefore, the present invention provides an LCD
5 device and a method of manufacturing the same, solving conventional
problems. The LCD device of the present invention can be manufactured
by injecting the liquid crystals for a relatively short time while two
electrode substrates are almost accurately aligned, with the formation of
a uniform gap therebetween, no contamination of liquid crystals or
10 introduction of impurities, excellent display screen and sufficient gap
formation, and no damage to the alignment film on the electrode
substrate. Thus, the LCD device has well-aligned liquid crystals, and can
be less expensively manufactured while realizing high reliability.

15 **[Description of Drawings]**

FIGS. 1a and 1b are schematic views showing a conventional
process of manufacturing an LCD device;

FIGS. 2a to 2d are schematic views showing another conventional
process of manufacturing an LCD device;

FIGS. 3a to 3e are schematic views showing a further process of manufacturing an LCD device;

FIG. 4 is a view showing a process of curing the resin composition of the present invention;

5 FIG. 5 is a view showing another process of curing the resin composition of the present invention; and

FIG. 6 is a view showing a process of measuring the alignment properties of the LCD device of the present invention.

10 (Description of the Reference Numerals in the Drawings)

1, 20, 27, 34: alignment film

2, 8, 9, 13, 14: electrode substrate having alignment film attached thereto

3, 11, 17, 23, 30, 37: spacer

15 4: heat curable type epoxy based sealing material

5, 12, 18, 24, 31, 38: liquid crystal

6: liquid crystal inlet

7, 19: closing material

10, 16, 22, 29, 36: sealing material

15: liquid crystal outlet

21, 28, 35: liquid crystal display device

25: cut-off filter

26, 33: light source

5 32: masking member

39: polarizing substrate (two)

40: light (visible light, etc.)

41: eye

(19)日本国特許庁 (J P)

(12) 公開特許公報 (A)

(11)特許出願公開番号

特開2002-122872

(P2002-122872A)

(43)公開日 平成14年4月26日(2002.4.26)

(51)Int.Cl. ⁷	識別記号	F I	テームト [*] (参考)
G 0 2 F 1/1339	5 0 5	C 0 2 F 1/1339	5 0 5 2 H 0 8 9
C 0 8 F 2/48		C 0 8 F 2/48	4 J 0 1 1
G 0 2 F 1/1341		G 0 2 F 1/1341	5 G 4 3 5
G 0 9 F 9/00	3 4 2	G 0 9 F 9/00	3 4 2 Z

審査請求 未請求 請求項の数18 O L (全 10 頁)

(21)出願番号 特願2000-316851(P2000-316851)

(22)出願日 平成12年10月12日(2000.10.12)

(71)出願人 000005108

株式会社日立製作所

東京都千代田区神田駿河台四丁目6番地

(72)発明者 田嶋 哲夫

神奈川県横浜市戸塚区吉田町292番地 株

式会社日立製作所生産技術研究所内

(72)発明者 三輪 広明

神奈川県横浜市戸塚区吉田町292番地 株

式会社日立製作所生産技術研究所内

(74)代理人 100075096

弁理士 作田 康夫

最終頁に続く

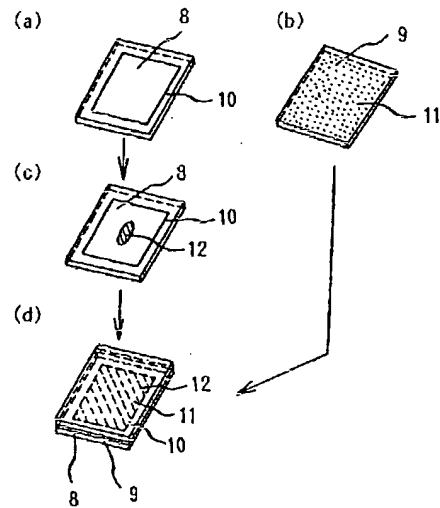
(54)【発明の名称】 液晶表示装置およびその製造方法

(57)【要約】

【課題】シール材として光硬化性樹脂組成物を用い、液晶の注入に時間がかからず、2枚の基板の位置ずれおよびギャップバラツキが非常に小さく、また液晶汚染やゴミ混入が無く、電極基板上の配向膜に損傷を与えずに作られた、液晶の配向特性が良好な新規な高信頼性液晶表示装置およびその製造方法の提供。

【解決手段】対向する2枚の配向膜付き電極基板の少なくとも一方に光硬化性シール材を配置し、いずれかの電極基板上にスペーサを散布し固定させた後、シール材を配置した電極基板上に液晶を必要量滴下し、真空中で上記2枚の電極基板を重ね合わせた後に、常圧でシール材に波長350nm以上の光を照射して貼り合わせる。

図 2



【特許請求の範囲】

【請求項1】 対向する2枚の配向膜付き電極基板の少なくとも一方に光硬化性シール材を配置し、いずれかの電極基板にスペーサを散布し固定させた後、シール材を配置した電極基板に液晶を必要量滴下し、真空中で上記2枚の電極基板を重ね合わせた後に、常圧でシール材に波長350nm以上の光を照射して貼り合わせることを特徴とする液晶表示装置。

【請求項2】 シール材として、25℃の粘度が40～100Pa・sのラジカル重合型光硬化性樹脂組成物を塗布し、光源として波長350nm～780nmの光を照射してシール材を硬化させることを特徴とする請求項1記載の液晶表示装置の製造方法。

【請求項3】 シール材であるラジカル重合型光硬化性樹脂組成物として、アクリル系光硬化性樹脂組成物を塗布し、配向膜面をマスク材で光遮断し、紫外光を照射して、シール材を光硬化させることを特徴とする請求項2記載の液晶表示装置の製造方法。

【請求項4】 シール材であるラジカル重合型光硬化性樹脂組成物として、アクリル系光硬化性樹脂組成物を塗布し、カットフィルター（波長350nm以下の光を遮断するためのもの）を通した紫外光を照射して、シール材を光硬化させることを特徴とする請求項2記載の液晶表示装置の製造方法。

【請求項5】 シール材であるラジカル重合型光硬化性樹脂組成物として、エン/チオール系光硬化性樹脂組成物を塗布し、配向膜面をマスク材で光遮断し、紫外光を照射して、シール材を光硬化させることを特徴とする請求項2記載の液晶表示装置の製造方法。

【請求項6】 シール材であるラジカル重合型光硬化性樹脂組成物として、エン/チオール系光硬化性樹脂組成物を塗布し、カットフィルター（波長350nm以下の光を遮断するためのもの）を通した紫外光を照射して、シール材を光硬化させることを特徴とする請求項2記載の液晶表示装置の製造方法。

【請求項7】 シール材であるラジカル重合型光硬化性樹脂組成物として、アクリル系およびエン/チオール系混合光硬化性樹脂組成物を塗布し、配向膜面をマスク材で光遮断し、紫外光を照射して、シール材を光硬化させることを特徴とする請求項2記載の液晶表示装置の製造方法。

【請求項8】 シール材であるラジカル重合型光硬化性樹脂組成物として、アクリル系およびエン/チオール系混合光硬化性樹脂組成物を塗布し、カットフィルター（波長350nm以下の光を遮断するためのもの）を通した紫外光を照射して、シール材を光硬化させることを特徴とする請求項2記載の液晶表示装置の製造方法。

【請求項9】 シール材であるラジカル重合型光硬化性樹脂組成物として、接着促進剤を配合したアクリル系光硬化性樹脂組成物を塗布し、配向膜面をマスク材で光遮

断し、紫外光を照射して、シール材を光硬化させることを特徴とする請求項2記載の液晶表示装置の製造方法。

【請求項10】 シール材であるラジカル重合型光硬化性樹脂組成物として、接着促進剤を配合したアクリル系光硬化性樹脂組成物を塗布し、カットフィルター（波長350nm以下の光を遮断するためのもの）を通した紫外光を照射して、シール材を光硬化させることを特徴とする請求項2記載の液晶表示装置の製造方法。

【請求項11】 シール材であるラジカル重合型光硬化性樹脂組成物として、接着促進剤を配合したエン/チオール系光硬化性樹脂組成物を塗布し、配向膜面をマスク材で光遮断し、紫外光を照射して、シール材を光硬化させることを特徴とする請求項2記載の液晶表示装置の製造方法。

【請求項12】 シール材であるラジカル重合型光硬化性樹脂組成物として、接着促進剤を配合したエン/チオール系光硬化性樹脂組成物を塗布し、カットフィルター（波長350nm以下の光を遮断するためのもの）を通した紫外光を照射して、シール材を光硬化させることを特徴とする請求項2記載の液晶表示装置の製造方法。

【請求項13】 シール材であるラジカル重合型光硬化性樹脂組成物として、接着促進剤を配合したアクリル系およびエン/チオール系混合光硬化性樹脂組成物を塗布し、配向膜面をマスク材で光遮断し、紫外光を照射して、シール材を光硬化させることを特徴とする請求項2記載の液晶表示装置の製造方法。

【請求項14】 シール材であるラジカル重合型光硬化性樹脂組成物として、接着促進剤を配合したアクリル系およびエン/チオール系混合光硬化性樹脂組成物を塗布し、カットフィルター（波長350nm以下の光を遮断するためのもの）を通した紫外光を照射して、シール材を光硬化させることを特徴とする請求項2記載の液晶表示装置の製造方法。

【請求項15】 対向する2枚の配向膜付き電極基板において、一方に薄膜トランジスター（TFT）およびカラーフィルターが付いていて、他方に透明導電膜が付いていることを特徴とする請求項1記載の液晶表示装置。

【請求項16】 シール材として、25℃の粘度が40～100Pa・sのラジカル重合型光硬化性樹脂組成物を塗布し、光源として波長350nm～780nmの光を照射してシール材を硬化させることを特徴とする請求項15記載の液晶表示装置の製造方法。

【請求項17】 シール材であるラジカル重合型光硬化性樹脂組成物として、アクリル系光硬化性樹脂組成物を塗布し、配向膜面をマスク材で光遮断し、紫外光を照射して、シール材を光硬化させることを特徴とする請求項15記載の液晶表示装置の製造方法。

【請求項18】 シール材であるラジカル重合型光硬化性樹脂組成物として、アクリル系光硬化性樹脂組成物を塗布し、カットフィルター（波長350nm以下の光を

遮断するためのもの)を通した紫外光を照射して、シール材を光硬化させることを特徴とする請求項15記載の液晶表示装置の製造方法。

【発明の詳細な説明】

【0001】

【発明の属する技術分野】本発明は、薄型、軽量、低消費電力ディスプレイとして用いられている液晶表示装置およびその製造方法に関するものである。

【0002】

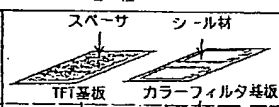



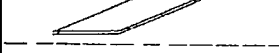


【従来の技術】近年、液晶表示装置は、薄型、軽量、低消費電力ディスプレイとして、各方面で使われており、今後一層利用度が増す状況にある。

【0003】液晶表示装置の製造は、従来から、表1の熱硬化型シール材を用いた工程で、長時間を要するものである。

【0004】

【表1】

表 1

工 程		熱硬化型	光硬化型	
スペーサ 散布 シール材 塗布		—	—	—
溶媒乾燥		10分 (120℃)	—	—
アライメント		2分 (80℃)	5分 (RT-光照射)	5分 (RT-光照射 液晶共存)
ギャップ 出し		1.0h 90~100℃		
シール材 加熱硬化		10h (90~190℃)	—	—
液晶注入		4 h (RT)	—	—
封入口 封止		4 h (RT)	—	—

RT: 25℃

【0005】現在、表1の光硬化型シール材を用いた短時間工程に改良しようとする試みがなされているところである。特に、表1の右に示すように、光硬化型シール材を用いて液晶共存下で封止する短時間工程が期待されている。

【0006】液晶表示装置を製造する方法としては、従来から、次のような方法が提案されている。

【0007】(1) 図1(a), (b)に示すように、最内側に配向膜1(材質はポリイミドが主流)が付いた対向する2枚の配向膜付き電極基板2を加圧した状態で、スペーサー3により一定の間隔を保ちながら、熱硬化型エポキシ系シール材4を硬化し接着固定し作られた容器に、液晶5をシール部にあらかじめ設けられた液晶注入口6を通して真空あるいは加圧により注入し、液晶5が漏れ出ないように液晶注入口6を熱硬化型エポキシ樹脂あるいは紫外線硬化型アクリル樹脂からなる封止材7を用いて封止する方法。

【0008】(2) 上記(1)において、シール材4として紫外線硬化型エポキシ樹脂あるいは紫外線硬化型ア

クリル樹脂、封止材7として紫外線硬化型アクリル樹脂を用いる方法。

【0009】(3) 図2(a)~(d)に示すように対向する2枚の配向膜付き電極基板8, 9の少なくとも片方にシール材10を配置し、電極基板8に液晶12を一定量滴下し、2枚の電極基板8, 9を真空中で貼り合わせる方法。

【0010】(4) 図3(a)~(e)に示すように対向する2枚の配向膜付き電極基板13, 14の少なくとも片方にあらかじめ液晶排出口15を設けたシール材16を配置し、電極基板13上に液晶18を必要量以上滴下し、上記2枚の電極基板を真空中で貼り合わせ、余分の液晶を排出し、液晶排出口15を封止材19を用いて封止する方法。

【0011】

【発明が解決しようとする課題】しかしながら、上記(1)および(2)の方法では、注入口が液晶と接触するため、液晶汚染やゴミ混入により、表示パネルにトラブルが発生しやすい。また、液晶注入に長時間を要する

欠点がある。

【0012】また、上記(3)および(4)の方法では、特開昭62-89025号公報および特開平6-235925号公報に示されているように、上記(1)および(2)の方法の課題の対策は十分されているが、シール材については、殆ど言及していない。シール材としては、液晶表示装置の生産性、2枚の基板の位置ずれおよびギャップバラツキを良くする点から、熱硬化型樹脂に比べ紫外線硬化型樹脂が有効である。

【0013】しかし、いずれのシール材を用いても、シール材の25℃の粘度が低すぎてシール材が液晶側に流れて目標とする表示画面が得られなかったり、25℃の粘度が高すぎてギャップ出しが不十分になるという大きな課題が有り、さらに、シール材として紫外線硬化型樹脂を用いると、硬化の時に紫外線の照射を受けた液晶表示装置の電極基板上の配向膜が損傷を受け、液晶の配向特性が損なわれるという大きな課題があった。

【0014】本発明は、上述したような課題を解決すべくなされたものであり、液晶の注入に時間がかからず、2枚の基板の位置ずれおよびギャップバラツキが非常に小さく、また液晶汚染やゴミ混入が無く、表示画面やギャップ出しが充分で、電極基板上の配向膜に損傷を与えずに作られた、液晶の配向特性が良好で新規な高信頼性液晶表示装置およびその製造方法を提供することを目的とするものである。

【0015】

【課題を解決するための手段】上記課題を解決するために、本発明者らが鋭意検討を重ねた結果、上記(3)の図2(a)～(d)に示すように、対向する2枚の配向膜付き電極基板8、9の少なくとも片方にシール材10を配置し、電極基板8に液晶12を必要量滴下し、2枚の電極基板8、9を真空中で貼り合わせる時に、シール材10として25℃の粘度が40～100Pa・sでラジカル重合型のアクリル系光硬化性樹脂組成物および/またはエン/チオール系光硬化性樹脂組成物を用い、波長350nm～780nmの光を照射するか、または配向膜面をマスク材で光遮断し波長制限しない紫外線を照射して硬化して接着固定することによって、上記課題を満たす液晶表示装置が得られ、本発明に到達した。

【0016】配向膜付き電極基板8、9の間の接着性を上げるためには、シール材10である上記組成物に接着促進剤を配置することで達成できる。

【0017】本発明で用いる光源としては、波長780nm以下の可視光および紫外線を多量に発生する水銀ランプ、キセノンランプ、メタルハライドランプ等が有用である。これらの光源から発生する光線は、液晶表示素子を必要以上に加熱したり、液晶を劣化させる恐れがある。

【0018】上記組成物の光硬化の際、光線が組成物の方に当たるように工夫する。照射時間は一般に0.1～

5分である。すなわち、0.1分より短いと光硬化性が不十分となり、接着性が劣り、5分より長いと非生産的で不都合となる。

【0019】ここで、上記光源からの光の波長が350nm以下の短波長光では配向膜が損傷を受け、780nm以上の長波長光では硬化反応が遅くて非生産的であるために、波長が350nm～780nmの光が良い。

【0020】照射方法としては、カットフィルター(波長350nm以下の光を遮断するためのもの)を通した紫外線を照射する。なお、電極基板上の配向膜面を黒く塗装した金属板等のマスク材で光遮断して上記組成物を硬化させ、上記2枚の配向膜付き電極基板を接着固定する場合は、カットフィルターを通さず、直接に紫外光を利用できる。

【0021】また、対向する2枚の配向膜付き電極基板、すなわち、薄膜トランジスター(TFT)およびカラーフィルター付き基板および透明導電膜付き基板の少なくとも一方にシール材を配置し、いずれかの電極基板にスペーサを散布し固定させた後、シール材を配置した電極基板に液晶を必要量滴下し、真空中で上記2枚の電極基板を貼り合わせて液晶表示装置を作ることでもできる。

【0022】また、本発明でシール材として用いる、25℃の粘度が40～100Pa・sでラジカル重合型のアクリル系光硬化性樹脂組成物は、(メタ)アクリル系樹脂に光増感剤を加えたものを基本とし、これに必要に応じて特性改良の目的で接着促進剤(シラン系カップリング剤など)、充填剤などを加えたものである。

【0023】上記シール材の25℃における粘度が40Pa・sより低いとシール材が液晶側に流れて目標とする表示画面が得られず、25℃の粘度が100Pa・sより高いとギャップ出しが不十分で表示むらが発生するので、25℃の粘度が40～100Pa・sのシール材が有効である(ただし、液晶の25℃における粘度は0.001～0.1Pa・s)。

【0024】(メタ)アクリル系樹脂は1分子中に(メタ)アクリル基を1個以上含み、ラジカル重合によって高速度で硬化するものなら特に限定は無い。

【0025】ただし、防湿性、接着性、液晶との不相溶性などを良くするために、(メタ)アクリル系樹脂の分子骨格はポリエステル、ポリエーテル、炭化水素、シリコンなどが良い。

【0026】(メタ)アクリル系樹脂としては、分子骨格の両末端に(メタ)アクリル基を付けたもの、例えば、アジピン酸とエチレングリコールから得られるポリエステル、ポリエチレングリコール、ビスフェノールAジグリシジルエーテル、ポリ1、2ブタジエン、ポリジメチルシロキサンなどのジ(メタ)アクリレート、ヘキサジオールジ(メタ)アクリレート、エチレングリコールジ(メタ)アクリレート、ブタンジオールジ(メ

タ) アクリレートなどがある。

【0027】また、粘度低下、ガラス転移温度の調整を目的に、1分子中に(メタ)アクリル基を1個含む(メタ)アクリル化合物、例えば、2-エチルヘキシル(メタ)アクリレート、2-ヒドロキシプロピル(メタ)アクリレート、ラウリル(メタ)アクリレート、デシル(メタ)アクリレート、ベンジル(メタ)アクリレートなどを用いても良い。その他に、接着性向上を目的に2-ヒドロキシエチル(メタ)アクリレートを用いても良い。

【0028】本発明で用いる光増感剤は、可視から紫外域の波長の光によって光分解または水素引き抜き反応を起こしてラジカルを生じ、(メタ)アクリル基によるラジカル重合を開始するなら特に限定は無い。

【0029】光増感剤としては、例えば、ベンゾインイソプロピルエーテル等のベンゾインエーテル類、2,2-ジエトキシアセトフェノンなどのアセトフェノン類、1-ハイドロオキシシクロヘキシルフェニルケトン、2-ハイドロオキシ-2-メチル-1-フェニルプロパン-1-オン、ベンゾイン、p-メトキシベンゾフェノンなどのベンゾフェノン類、チオキサントンなどのキサントン類、m-クローラセトフェノン、プロピオフェノン、ベンジル、2-メチルアントラキノンなどのアントラキノン類、ベンジルジメチルケタールなどが有用である。

【0030】光増感剤の使用量は、(メタ)アクリル系樹脂100重量部に対し、0.01~5重量部が好ましい。0.01重量部より少ないと上記のアクリル系樹脂組成物の光硬化性が劣り、5重量部より多いと接着性が低下する。

【0031】接着促進剤としては、本発明に係る樹脂組成物の接着特性を向上するもので、シラン系カップリング剤、チタン系カップリング剤などのほかポリクロロアレン、ポリ1,4ブタジエン、スチレン・ブタジエン共重合体、アクリロニトリル・スチレン・ブタジエン共重合体、エチレン・プロピレン系ゴムなどのゴム類と(メタ)アクリル系樹脂とのグラフト共重合体などがある。接着促進剤の使用量は、(メタ)アクリル系樹脂100重量部に対し、0.1~10重量部が好ましい。0.1重量部より少ないと接着促進効果が十分に現れない。また、10重量部より多いと上記アクリル系樹脂組成物中の余剰の接着促進剤が液晶層へ流出し液晶の配向性などの悪影響を与えるとともに、ガラス転移温度を低下させる。

【0032】充填剤は、本発明に係る樹脂組成物の塗布性を改良し、組成物の粘度や硬化物の熱膨張係数などを調節し、液晶への溶解性を防ぐために、シリカ、アルミナ、炭酸カルシウムなどが使用できる。充填剤の使用量は、シール材の25℃における粘度が40~100Pa・sを満たす範囲内で、(メタ)アクリル系樹脂100

重量部に対し、5~100重量部が好ましい。5重量部より少ないと効果が不十分であり、100重量部より多いと、上記アクリル系樹脂組成物の接着性が低下する。

【0033】また、本発明で用いるエン/チオール系光硬化性樹脂組成物は、ポリエン化合物およびポリチオール化合物に光増感剤を加えたものを基本とし、これに必要に応じて特性改良の目的で接着促進剤(シラン系カップリング剤など)、充填剤などを加えたものである。

【0034】ポリエン化合物は、1分子中に炭素-炭素不飽和二重結合(C=C)を2個以上含み、ポリチオール化合物も1分子中にメルカプト基(-SH)を2個以上含むもので、両者がラジカル重合によって高速度で硬化するものなら、両者の化合物に特に限定は無い。ポリエン化合物としては、ジビニルベンゼン、ジビニルトルエン、トリアリルシアヌレート、トリアリルイソシアヌレート、テトラアリロキシエタン、トリメチロールアロパンジアルエーテル、トリメチロールアロパントリアルエーテル、ペンタエリスリトールジアルエーテル、ペンタエリスリトールトリアリルエーテル、ペンタエリスリトールテトラアルエーテル、エチレングリコールジ(メタ)アリルエーテル、プロピレングリコールジ(メタ)アリルエーテル、ブチレングリコールジ(メタ)アリルエーテル、ポリエチレングリコールジ(メタ)アリルエーテル、ポリプロピレングリコールジ(メタ)アリルエーテル、ポリブチレングリコールジ(メタ)アリルエーテル、エチレンオキシドとプロピレンオキシドのブロック又はランダムコポリマーであるグリコールのジ(メタ)アリルエーテル、エチレンオキシドとテトラヒドロフランのブロック又はランダムコポリマーであるグリコールのジ(メタ)アリルエーテル、ビスフェノールAのジ(メタ)アリルエーテル、(ポリ)エチレンオキシド変性ビスフェノールAのジ(メタ)アリルエーテル、(ポリ)プロピレンオキシド変性ビスフェノールAのジ(メタ)アリルエーテルなどが上げられるが、これに限定されるものではない。また、これらの2種以上の混合物を使用しても良い。

【0035】ポリチオール化合物としては、ジグリコールジメルカプタン、トリグリコールジメルカプタン、テトラグリコールジメルカプタン、チオジグリコールジメルカプタン、チオトリグリコールジメルカプタン、チオテトラグリコールジメルカプタンなどの他に、過剰の上記ポリチオール化合物のメルカプト基と次のようなポリエポキシド化合物のエポキシ基を反応させて得たポリチオール化合物などが上げられるが、これらに限定されるものではない。また、これらの2種以上の混合物を使用しても良い。

【0036】ポリエポキシド化合物の例としては、ビスフェノールA型エポキシド、エチレングリコールジグリシジルエーテル、ポリエチレングリコールジグリシジルエーテル、プロピレングリコールジグリシジルエーテ

ル、ポリプロピレングリコールジグリシジルエーテル、ネオペンチルグリコールジグリシジルエーテル、1、6-ヘキサンジオールジグリシジルエーテル、グリセロールジグリシジルエーテル、グリセロールトリグリシジルエーテル、トリメチロールプロパンジグリシジルエーテル、トリメチロールプロパントリグリシジルエーテル、ジグリセロールポリグリシジルエーテル、ビスフェノールS型エポキシド、ビスフェノールF型エポキシド、水添ビスフェノールA型エポキシドなどが上げられるが、これらに限定されるものではない。また、これらの2種以上の混合物を使用しても良い。

【0037】本発明組成物に用いられるポリエン化合物とポリチオール化合物との配合割合は、ポリエンの炭素-炭素不飽和二重結合とポリチオールのメルカプト基のモル比で決まり、その比は1:1.5~1.5:1であり、好ましくは1:1.2~1.2:1、最も好ましくはほぼ1:1である。ポリエン化合物とポリチオール化合物との配合割合が、上記の範囲外の場合は、硬化後に異臭がしたり、硬化物の硬度が下がり過ぎ、著しい時には硬化しないなどの問題が生じることがある。本発明で用いる光増感剤は、上記アクリル系光硬化性樹脂組成物に用いられるもので良く、その使用量は、ポリエン化合物およびポリチオール化合物の合計100重量部に対し、0.01~5重量部が好ましい。0.01重量部より少ないと上記のエン/チオール系光硬化性樹脂組成物の光硬化性が劣り、5重量部より多いと接着性が低下する。

【0038】樹脂組成物の接着特性を向上する接着促進剤としては、上記アクリル系光硬化性樹脂組成物に用いられるものと同様で良く、シラン系カップリング剤、チタン系カップリング剤などのほか、ポリクロロブレン、ポリ1、4ブタジエン、スチレン・ブタジエン共重合体、アクリロニトリル・スチレン・ブタジエン共重合体、エチレン・プロピレン系ゴムなどのゴム類と（メタ）アクリル系樹脂とのグラフト共重合体などがある。接着促進剤の使用量は、ポリエン化合物およびポリチオール化合物の合計100重量部に対し、0.1~10重量部が好ましい。0.1重量部より少ないと接着促進効果が充分に現れない。また、10重量部より多いと上記エン/チオール系樹脂組成物中の余剰の接着促進剤が液晶層へ流出し液晶の配向性などに悪影響を与えるとともに、ガラス転移温度を低下させる。

【0039】樹脂組成物の塗布性を改良し、組成物の粘

度や硬化物の熱膨張係数などを調節し、液晶への溶解性を防ぐための充填剤も、上記アクリル系光硬化性樹脂組成物に用いられるものと同様で良く、シリカ、アルミナ、炭酸カルシウムなどが使用できる。充填剤の使用量は、シール材の25℃における粘度が40~100Pa·sを満たす範囲内で、ポリエン化合物およびポリチオール化合物の合計100重量部に対し、5~100重量部が好ましい。5重量部より少ないと効果が不充分であり、100重量部より多いと、上記エン/チオール系樹脂組成物の接着性が低下する。

【0040】さらに、本発明の樹脂組成物には、必要に応じて、消泡剤、レベリング剤、重合禁止剤などを添加しても良い。

【0041】以下、本発明の樹脂組成物を用いて液晶表示装置を作る方法の一例を説明する。2枚の配向膜付き電極基板のうちいずれか一方の基板の配向膜側の面上に、本発明の樹脂組成物のシール材として、口の字形のパターンとなるように塗布する。塗布方法は、スクリーン印刷法が一般的であるが、ディスペンサーを用いて塗布しても良い。

【0042】シール材塗布基板の口の字形パターン中央部に、必要な一定量の液晶を滴下する。

【0043】これら2枚の基板を、それぞれの配向膜面を内側にして、真空中で、スペーサを介して位置合わせを行ない、常圧にもどしつつ基板間のギャップを所望の間隔に調整する。

【0044】次に、本発明の方法であるが、位置合わせおよびギャップ出しが終わった状態で、上記樹脂組成物に、所定波長領域(350nm~780nm)の光を照射するか、または配向膜面のみをマスク材で光遮断して紫外光を照射することにより、上記樹脂組成物を硬化させ、2枚の基板を接着固定し貼り合わせて、液晶表示装置を作る。

【0045】

【発明の実施の形態】以下、本発明を実施例に基づき詳細に説明するが、本発明はこれに限定されるものではない。

【0046】2枚の配向膜付き電極基板の接着固定に用いたシール材の光硬化性樹脂組成物の組成と組成No.を表2に示した。

【0047】

【表2】

組成No.	1	2	3	4	5	6	7	8	9	10	11	12	13	14	15
成分、粘度															
(メタ)															
ポリ1,2-ブタジエンジメタクリレート (分子重2000)	59	-	-	-	-	-	-	-	-	-	-	-	-	59	-
ビスフェノールAジグリシジルエーテルのジアクリレート	-	19	10	10	15	40	-	-	-	-	-	-	10	-	10
アクリル															
エチレングリコールジメタクリレート	41	81	-	-	60	40	-	-	-	-	-	-	-	41	-
ブタンジオールジアクリレート	-	-	90	76	-	-	-	-	-	-	-	-	90	-	90
テトラメタクリレート	-	-	-	14	-	-	-	-	-	-	-	-	-	-	-
系															
四															
臨															
2-ヒドロキシエチルメタクリレート	-	-	-	-	-	20	-	-	-	-	-	-	-	-	-
ビスフェノールAのジグリシジルエーテル	-	-	-	-	-	-	24	-	-	57	-	-	-	-	-
ポリエ															
エチレンオキシドとテトラヒドロフランのランダムコポリマーのグリコールのジグリシジルエーテル (分子重1000)	-	-	-	-	-	-	-	50	-	-	81	-	-	-	-
トリグリシジルジアクリレート	-	-	-	-	-	-	-	-	25	-	-	51	-	-	-
ポリ															
ビスフェノールA型エポキシドと過剰トリグリコールジメルカプタンとの反応生成物であるポリチオール (分子重1000)	-	-	-	-	-	-	76	50	75	-	-	-	-	-	-
オリ															
テトラグリコールジメルカプタン	-	-	-	-	-	-	-	-	-	43	19	49	-	-	-
その															
他															
ベンゾインイソプロピルエーテル (光増強剤)	3	2	1	1	1	2	1	1	1	1	1	1	1	3	1
ア-メタクリロキシプロピルトリメトキシラン (粘着増強剤)	1	1	-	-	-	-	1	-	-	1	-	-	-	1	-
シリカ (充填剤) の名無	有り	有り	有り	有り	有り	有り	有り	有り	有り	有り	有り	有り	有り	有り	有り
25℃における上記組成物の粘度 (Pa・s)	40 ≤ 粘度 ≤ 100												40より小	100より大	40より小

図2

* 組成は重量比を示す。

【0048】ここで、組成No. 1~No. 6はアクリル系ラジカル重合型光硬化性樹脂組成物、組成No. 7~No. 12はエン/チオール系ラジカル重合型光硬化性樹脂組成物、組成No. 13~No. 15はアクリル系ラジカル重合型光硬化性樹脂組成物であるが25℃の粘度が発明範囲を外れる組成物をそれぞれ示す。ただし、粘度は回転粘度計で測定した。

【0049】上記樹脂組成物（シール材）を、図2に示すように、ディスペンサーを用いて一方の配向膜付き電極基板8上に口の字形パターン10となるように塗布し、パターン中央部に、必要量の液晶12を滴下する。他方の配向膜付き電極基板9上の画面領域に6.5μm径のビーズ状スペーサー11を散布する。

【0050】これら2枚の電極基板を、それぞれの配向膜面を内側にして、真空中でスペーサーを介して位置合わせを行い、常圧にもどしつつ基板間のギャップを所望の間隔に調整する。

【0051】次に、本発明の方法であるが、位置合わせおよびギャップ出しが終わった状態で、図4および図5に示すように、所定の条件で光を照射してシール材22および29を硬化させた。

【0052】すなわち、図4は、本発明の波長350nm以下の光を遮断するためのカットフィルター25として色ガラスフィルターUV-35（東芝硝子社製）を用い、高圧水銀灯の光源26からの光を波長制限して照射し、上記樹脂組成物を光硬化する方法を示す。また、図5は、本発明のマスク材32として、厚みがほぼ2mmの黒く塗装した金属アルミニウム板を用い、配向膜面を

光遮断して、高圧水銀灯の光源33からの光を波長制限しないで全照射し、上記樹脂組成物を光硬化する方法を示す。

【0053】上記のように硬化させて得られた液晶表示装置35について、特性として表示画面が良好か否かを目視で観察する。

【0054】次に、上記で得られた液晶表示装置35のポリイミド系配向膜34による配向特性の評価法を図6に示した。

【0055】すなわち、2枚の偏光板39の偏光方向を互いに直交させて、液晶表示装置35をそれらの間に挟み、片側を光40の方向に向けて、他方から眼41で目視する。

【0056】配向乱れが無く光が均一に見える時には、液晶表示装置35の配向膜34に損傷が無く、配向特性が良好であることを示す。

【0057】一方、光が不均一に見える時には、配向膜34が損傷を受け、配向特性が不良であることを示す。他の特性としては、接着性を求めた。シール材の剥離の有無を目視で観察し、剥離が見られない液晶表示装置は接着性が良好、剥離が見えるものは接着性が不良であることを示す。

【0058】なお、液晶表示装置の配向特性および接着性は、ともに、初期だけでなく、高温放置試験（60℃、1000時間）および高温高湿試験（70℃、95%RH、500時間）の信頼性試験も行った。

【0059】表2の組成の光硬化性樹脂組成物（シール材）を用いて、硬化条件を変え、液晶表示装置の上記特

性を検討した。結果を表3に示した。
【0060】

【表3】

No.	実施例						比較例									
	1	2	3	4	5	6	7	8	9	10	11	12	13	14	15	
硬化条件、特性																
樹脂組成No.	1-6	7-12	1-6	7-12	1-6	7-12	1-6	7-12	1-6	7-12	1-6	7-12	13	14	15	
硬化条件																
カットフィルター	有り	有り	-	-	有り	有り	無し	無し	-	-	無し	無し	有り	有り	有り	
マスク材	-	-	有り	有り	-	-	-	-	無し	無し	-	-	-	-	-	
照射条件																
光×90s	→	-	→	-	-	-	→	-	→	-	-	-	→	→	→	
光×50s	-	→	-	→	-	-	-	→	-	→	-	-	-	-	-	
光×30s	-	-	-	-	→	→	-	-	-	-	→	→	-	-	-	
特性																
表示画面	○	○	○	○	○	○	○	○	○	○	○	○	○	×	×	×
配向特性																
初期	○	○	○	○	○	○	×	×	×	×	×	×	○	○	○	
高温放置後 (60℃, 100h)	○	○	○	○	○	○	×	×	×	×	×	×	○	○	○	
高温高湿放置後 (70℃, 95%RH, 50h)	○	○	○	○	○	○	×	×	×	×	×	×	○	○	○	
接着性																
初期	○	○	○	○	○	○	○	○	○	○	○	○	○	○	○	
高温放置後 (60℃, 100h)	○	○	○	○	○	○	○	○	○	○	○	○	○	○	○	
高温高湿放置後 (70℃, 95%RH, 50h)	○	○	○	○	○	○	○	○	○	○	○	○	○	○	○	

*1) 照射条件は波長365nm基準の値、sは秒を示す。
矢印記号→は左記の照射条件を利用することを示す。
*2) RHは相対湿度、hは時間を示す。
記号○は良好、×は不良を示す。

【0061】ここで、例えば、実施例No. 1は、表2のNo. 1～No. 6までの6種類の樹脂組成物を別々に、カットフィルター有り、且つ照射条件100mW/cm² (波長365nm) ×90秒で作った6種類の液晶表示装置すべてを示し、表3で実施例No. 1の特性が○になっているのは、上記6種類の液晶表示装置すべての特性が良好であることを示すものである。

【0062】表3から、実施例No. 1～No. 6は、光硬化前の樹脂組成物の25℃における粘度が発明範囲を満たすために、液晶表示装置の表示画面が良好であり、また、光硬化時に本発明のカットフィルターまたはマスク材があるため、照射条件によらず、液晶表示装置の配向特性および接着性が初期、信頼性試験後ともに良好であることがわかる。

【0063】一方、比較例No. 7～No. 12は、光硬化前の樹脂組成物の25℃における粘度が発明範囲を満たすために、液晶表示装置の表示画面は良好であり、また、光硬化時に本発明のカットフィルターおよびマスク材のいずれも無いため、液晶表示装置の接着性は良好であるが、配向特性が初期から不良であることがわかる。

【0064】また、比較例No. 13～No. 15は、光硬化時に本発明のカットフィルターがあるため、液晶表示装置の配向特性および接着性が初期、信頼性試験後ともに良好であるが、光硬化前の樹脂組成物の25℃における粘度が発明範囲を外れるために、液晶表示装置の表示画面が不良であることがわかる。

【0065】さらに、検討を進め、表3の実施例No.

1～No. 6の液晶表示装置は、上記以外の電気特性等の必要特性もすべて初期、信頼性試験後ともに良好であることが明らかになった。

【0066】また、液晶表示装置のギャップ精度および位置精度は、熱硬化型エポキシ系シール材を用いた図1の方法 (従来法) では、それぞれ、(6.5±0.5) μm、6.0 μmであるが、本発明の方法 (表3の実施例No. 1～No. 6) では、それぞれ、(6.5±0.2) μm、2.0 μmであり、精度が向上していることがわかる。

【0067】また、一方に薄膜トランジスター (TFT) およびカラーフィルターが付いている配向膜付き電極基板と他方に透明導電膜が付いている配向膜付き電極基板が配向膜面を内側に対向する液晶表示装置は、本発明の方法 (表3の実施例No. 1～No. 6) で、透明導電膜側から光を照射して作り得ることが明らかになった。

【0068】

【発明の効果】以上説明したように、本発明は従来技術の欠点を解決したものであり、本発明の液晶表示装置は、液晶の注入に時間がかからず、2枚の基板の位置ずれおよびギャップバラツキが非常に小さく、また液晶汚染やゴミ混入が無く、電極基板上の配向膜に損傷を与えずに作られ、液晶の配向特性も良好であった。本発明を適用することによって、安価で高信頼性の液晶表示装置の製造が可能となった。

【図面の簡単な説明】

【図1】従来発明に関する液晶表示装置の概略図であ

る。

【図2】本発明に係る液晶表示装置の概略図である。

【図3】従来発明に関する液晶表示装置の概略図である。

【図4】本発明に係る樹脂組成物硬化方法を示す図である。

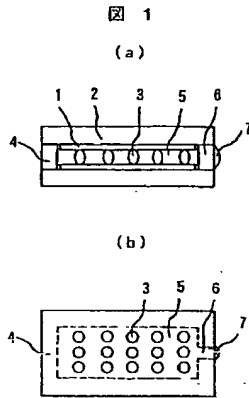
【図5】本発明に係る樹脂組成物硬化方法を示す図である。

【図6】本発明に係る液晶表示装置の配向特性の評価法を示す図である。

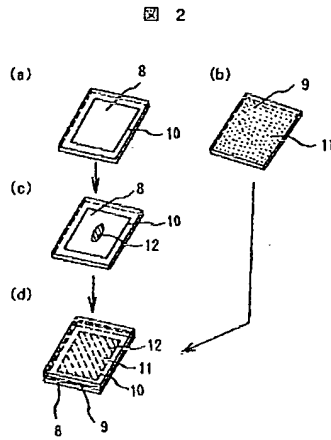
【符号の説明】

1, 20, 27, 34…配向膜、2, 8, 9, 13, 14…配向膜付き電極基板、3, 11, 17, 23, 30, 37…スペーサー、4…熱硬化型エポキシ系シール材、5, 12, 18, 24, 31, 38…液晶、6…液晶注入口、7, 19…封止材、10, 16, 22, 29, 36…シール材、15…液晶排出口、21, 28, 35…液晶表示装置、25…カットフィルター、26, 33…光源、32…マスク材、39…偏光板（2枚）、40…光（可視光等）、41…眼。

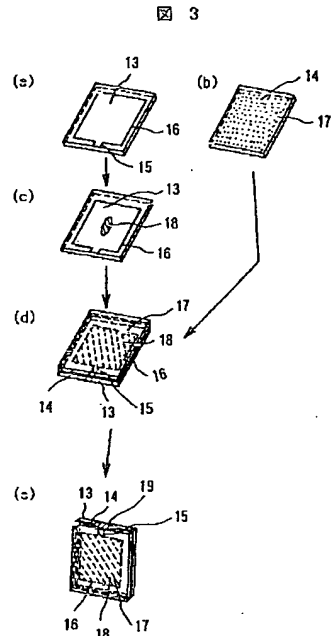
【図1】



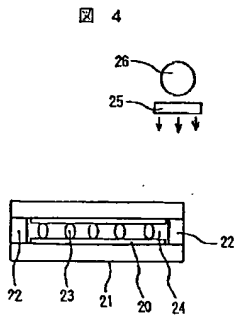
【図2】



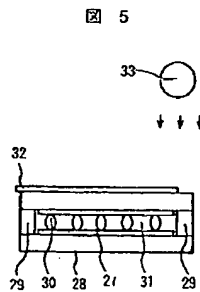
【図3】



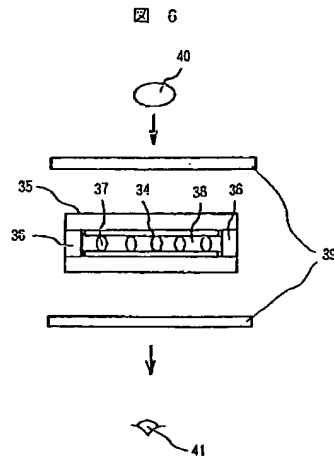
【図4】



【図5】



【図6】



フロントページの続き

(72)発明者 須藤 亮一
神奈川県横浜市戸塚区吉田町292番地 株
式会社日立製作所生産技術研究所内

Fターム(参考) 2H089 LA07 MA04Y NA09 NA22
NA25 NA35 NA39 NA44 NA49
PA16 QA12 QA13 TA02 TA04
TA09
4J011 PA45 PA76 PC02 PC08 QA03
QA19 QA20 QA26 QA27 QA34
QA46 RA10 RA11 RA17 SA01
SA21 SA31 SA41 SA63 SA64
TA04 UA01 UA06 VA01 WA01
5G435 AA17 BB12 HH20 KK05